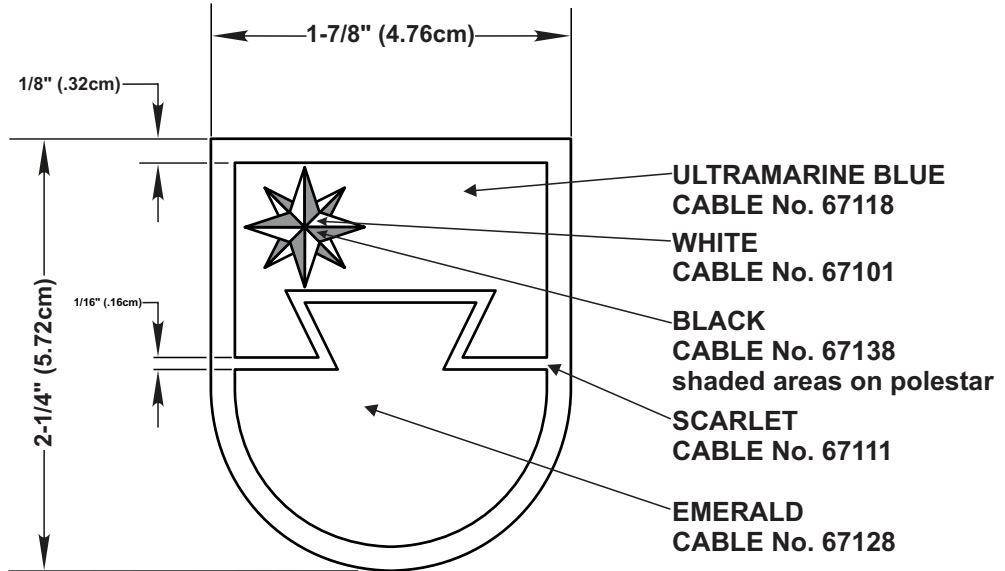


**REVISIONS**

LTR	DESCRIPTION	DATE	APPROVED
-----	-------------	------	----------



**DESIGNED FOR OVEREDGE STITCHING**

UNLESS OTHERWISE SPECIFIED DIMENSIONS ARE IN INCHES TOLERANCES ON FRACTIONS DECIMALS ANGLES

EXAMINED	TLC	
CHECKED	CA	SAO
PREPARED	CA	

APPROVED  
*Charles V. Mugno*  
 CHARLES V. MUGNO  
 DIRECTOR

THE INSTITUTE OF HERALDRY, DEPARTMENT OF THE ARMY  
 9325 GUNSTON RD, RM S-113 FORT BELVOIR, VA 22060-5579

BERET FLASH FOR  
**AIR MOBILITY LIAISON OFFICER**

SIZE	CONTROL IDENT. NO	<b>A-4-299</b>
<b>A</b>	<b>22571</b>	

SCALE	FULL	DATE	<b>20 JANUARY 2015</b>
-------	------	------	------------------------

MATERIALS:  
 TO BE MANUFACTURED IN ACCORDANCE WITH MIL-DTL-14652